

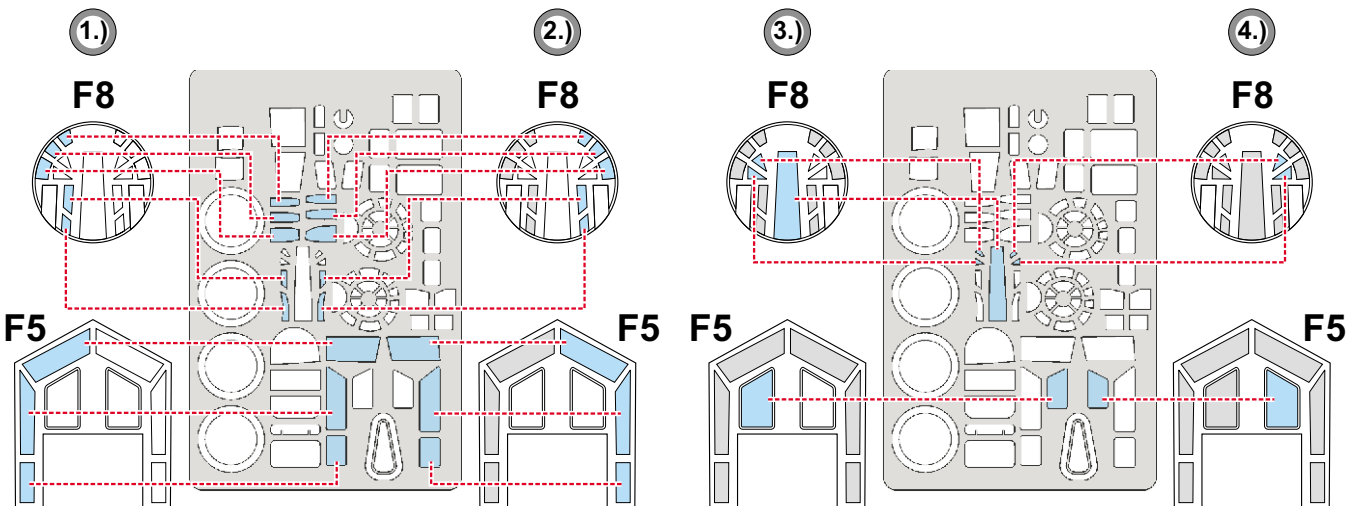
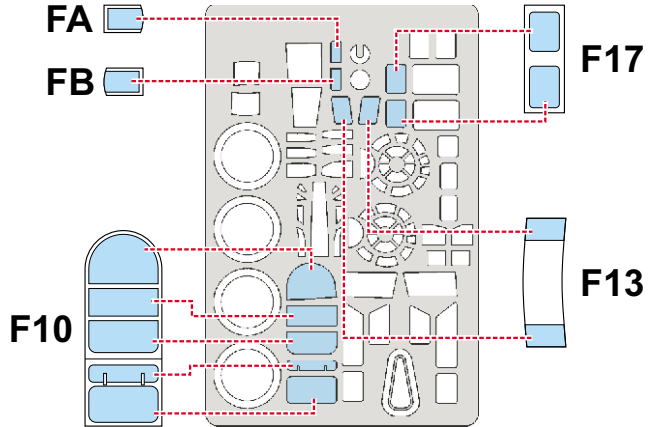
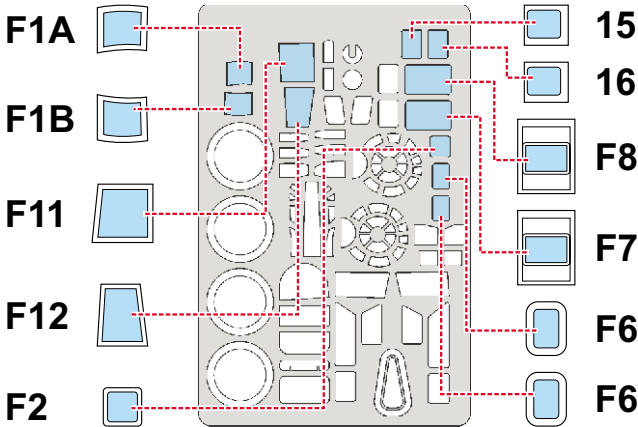
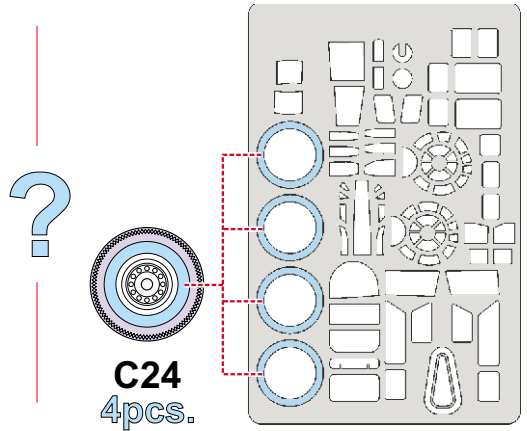
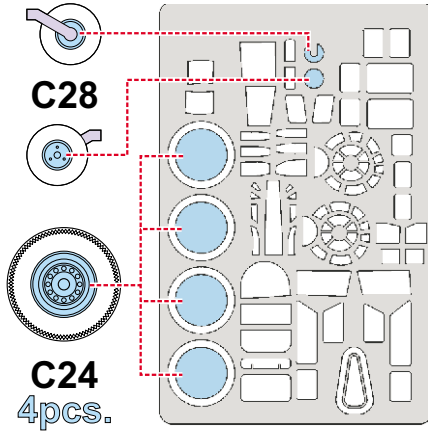
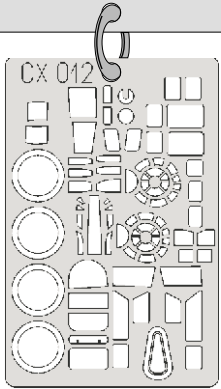
eduard
MASK

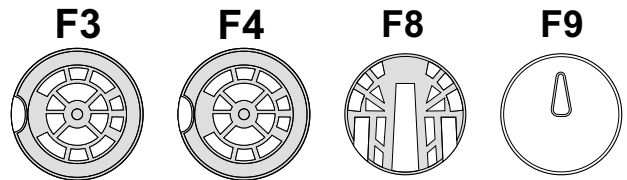
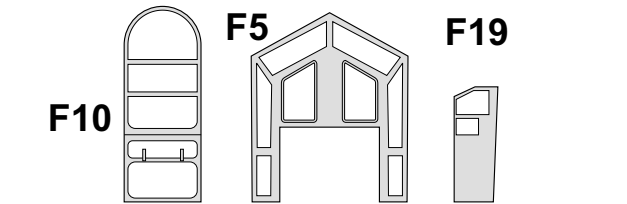
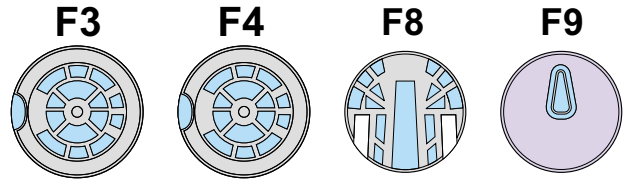
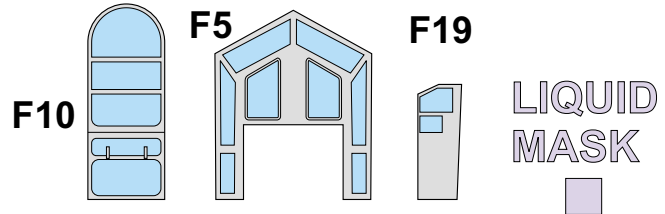
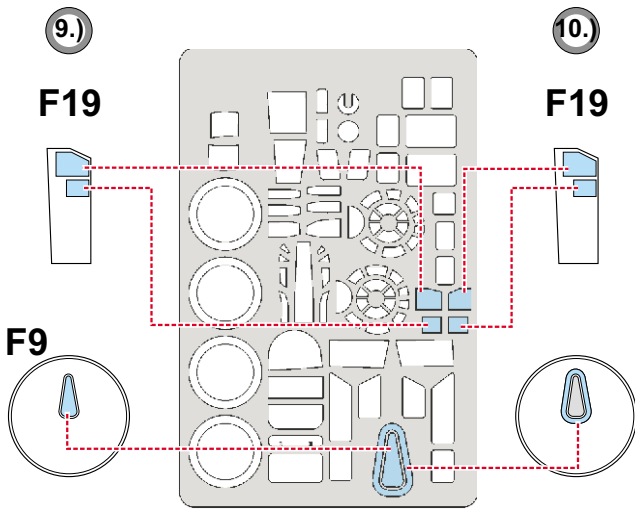
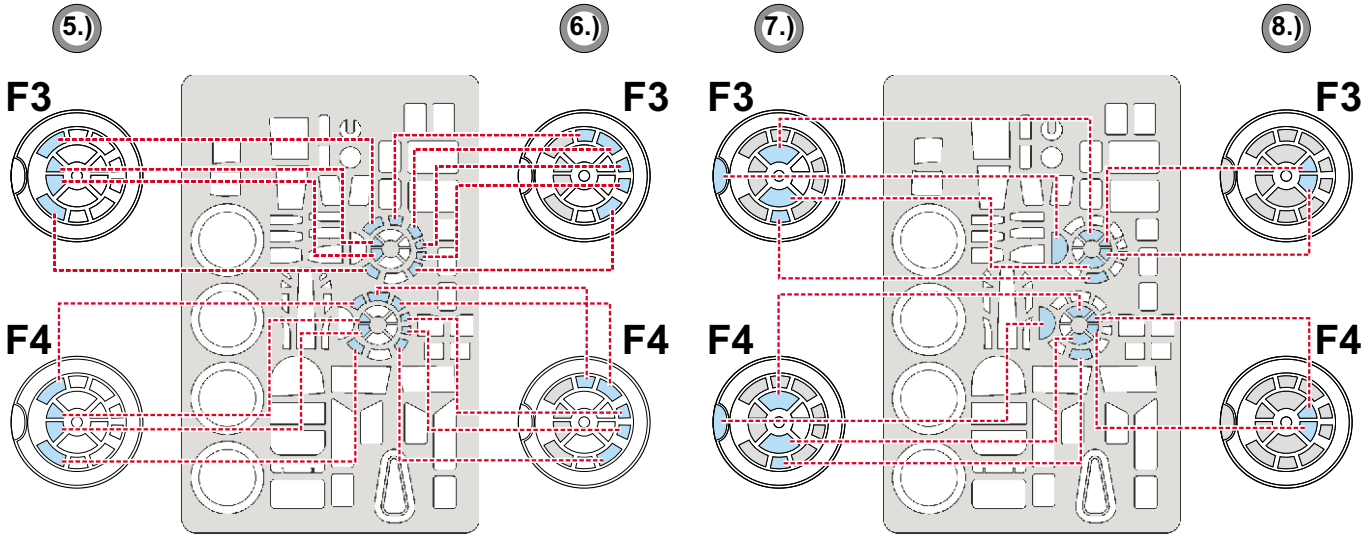
B-17F Flying Fortress 1/72

The die-cut mask for accurate canopy frame painting of the
Hasegawa 1/72 KIT

CX 012

LIQUID MASK ■





11.)  INTERIOR COLOR

12.)  CAMOUFLAGE COLOR

13.) REMOVE MASK